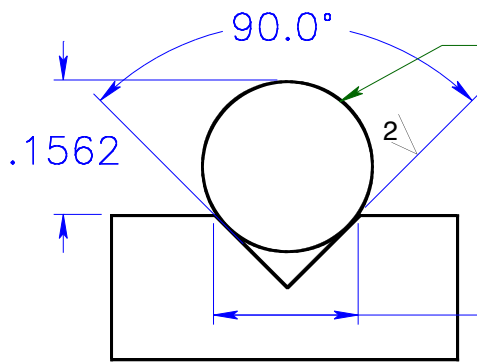
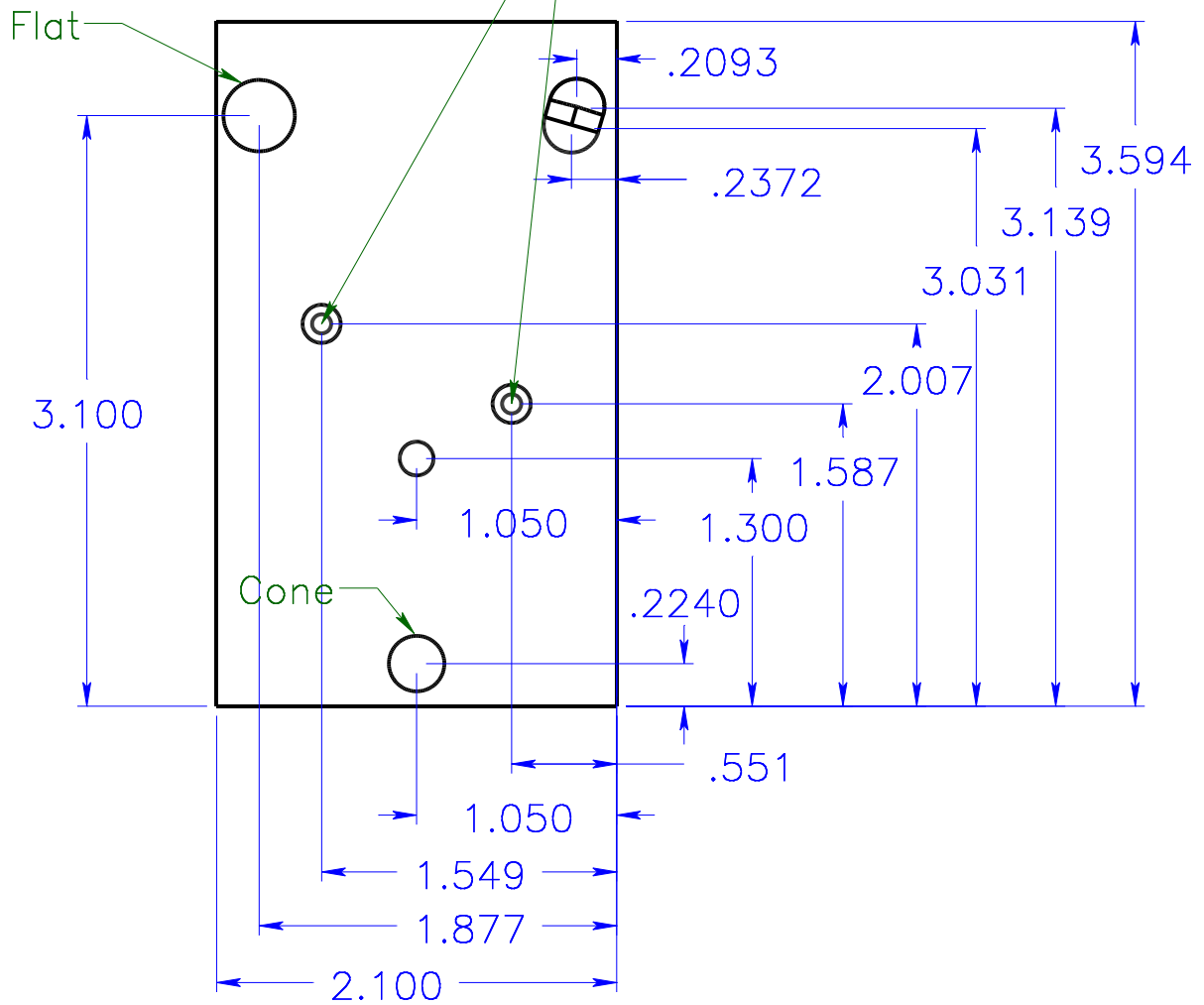
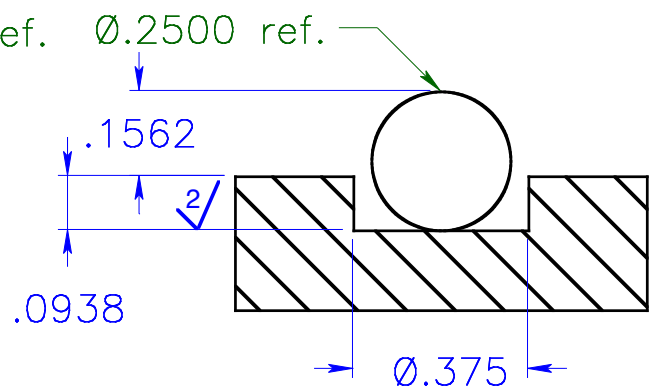


2 X M2.5 Clearance  
 Ø.200 C'BORE X .156 DP



Cone / Slot Detail (Not to Scale)



Flat Detail (Not to Scale)

|    |        |      |      |   |      |           |  |       |
|----|--------|------|------|---|------|-----------|--|-------|
|    |        |      |      | Name  | Date | Title     |  |       |
|    |        |      |      | Created By  | JRB  | 12/4/2012 | HBCAM Body - Bottom View<br>Black (Normal) Version |       |
|    |        |      |      | Checked By  |      |           |  |       |
|    |        |      |      | Scale   |      |           |  |       |
|    |        |      |      | Open Source Instruments<br>www.opensourceinstruments.com<br>infor@opensourceinstruments.com |      |           | Drawing Number                                     | Issue |
| No | Change | Date | Init |   |      |           |  |       |