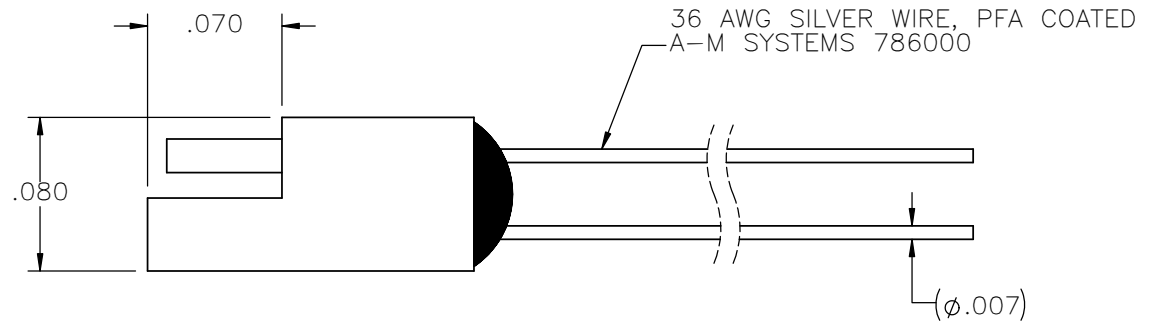
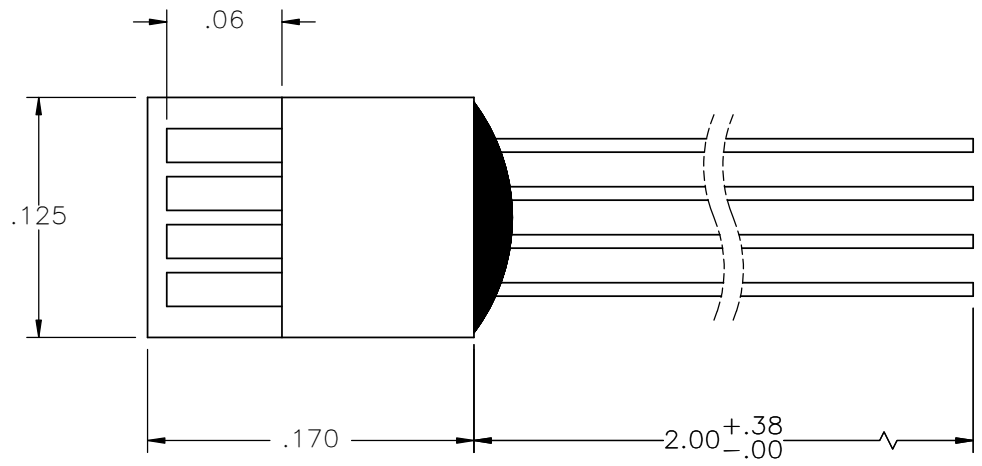
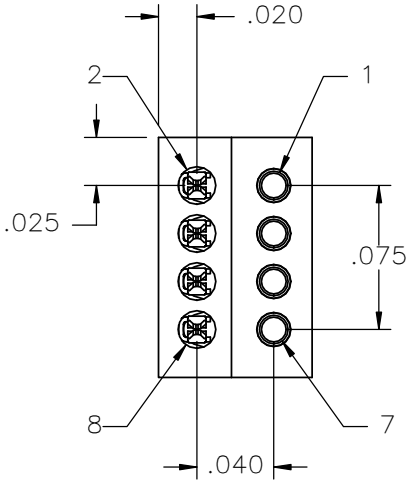


PART NO.	A78967-001	REV	ECO	DATE	APP
		-			



ACTUAL SIZE
EXCLUDING
WIRE LENGTH



REF: OPEN SOURCE INSTRUMENT

Drawing Approval _____
Date _____

PZNI SLDW	THIRD ANGLE
	-TOLERANCES- UNLESS OTHERWISE NOTED DIMENSIONS IN INCHES
2	PL DEC ± .01
3	PL DEC ± .005
4	PL DEC ± .0005
	ANGLES ± 1°

THIS DRAWING CONTAINS CONFIDENTIAL AND PROPRIETARY INFORMATION WHICH IS THE PROPERTY OF OMNETICS CONNECTOR CORP. THIS DOCUMENT MAY NOT, IN WHOLE OR IN PART, BE DUPLICATED, OR DISCLOSED FOR ANY PURPOSE, WITHOUT WRITTEN PERMISSION FROM OMNETICS CONNECTOR CORP.	
TITLE:	(8) CONTACT POLARIZED MALE/FEMALE NANO CONNECTOR
DFTM. AWZ	
DATE	08-28-23

OMNETICS
CONNECTOR CORPORATION
8840 EVERGREEN BLVD.
MINNEAPOLIS, MN 55433
WWW.OMNETICS.COM

DWG NO.	CAGE CODE 61873
A78967-001	
SHEET 1 OF 1	SCALE: 10:1
REV	-