

**MATERIALS & SPECIFICATIONS**

**INSULATORS**

THERMOPLASTIC PER ASTM D5138

**CONTACT MATERIAL**

PINS - BERYLLIUM  
COPPER PER ASTM B194,  
ALLOY C17200  
SOCKET - COPPER ALLOY  
PER MIL-DTL-32139

**CONTACT FINISH**

GOLD PLATE PER ASTM B488, TYPE II (HARD GOLD), CODE C, CLASS 1.27

**TERMINATION FINISH**

SOLDER COATED WITH  
SN63 PER J-STD-006 OR  
SN60 PER AMS-P-81728

**CURRENT RATING**

1 AMP PER MIL-DTL-32139

**CONTACT RESISTANCE**

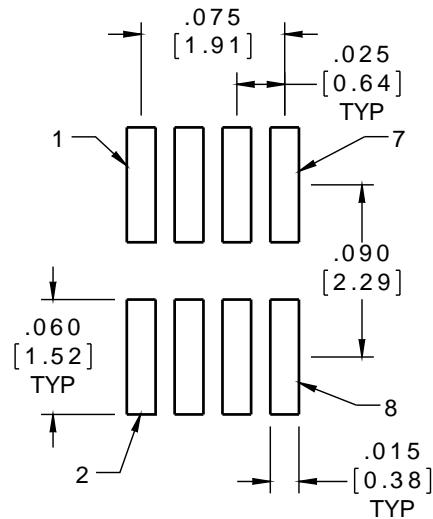
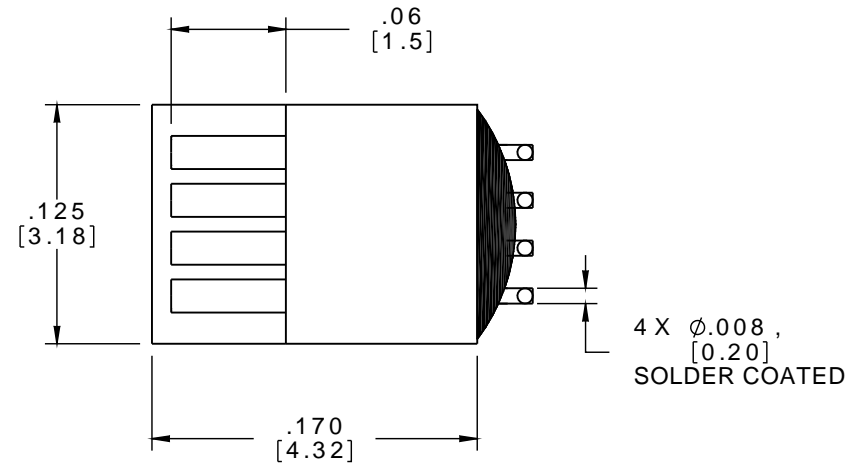
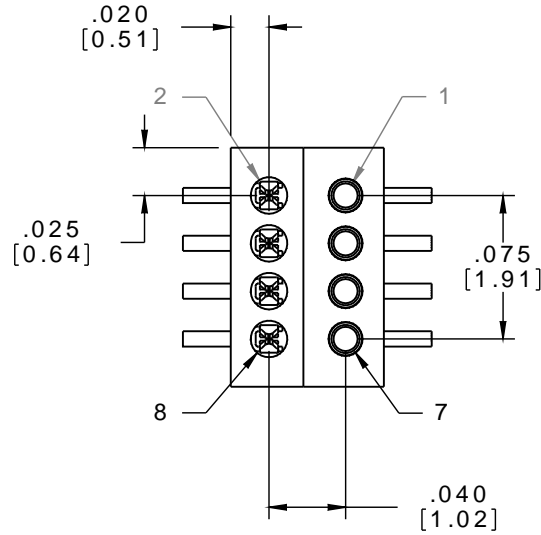
71 MILLIOHM MAX (71mV DROP MAX) @ 1.0 AMPS PER MIL-DTL-32139

**PERFORMANCE**

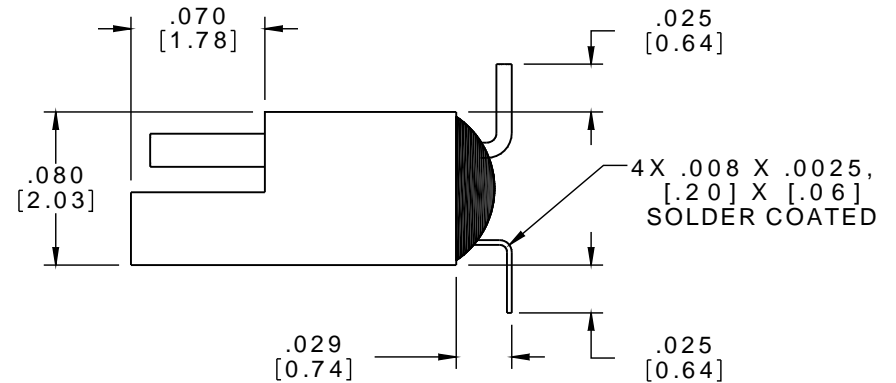
PRODUCT FAMILY TESTED TO AND PASSED THE PERFORMANCE SPECIFICATIONS OF TABLE VIII OF MIL-DTL-32139



ACTUAL SIZE



SUGGESTED PAD LAYOUT



**NOTE:**

DIMENSIONS IN [ ] ARE IN MILLIMETERS UNLESS OTHERWISE NOTED AND ARE FOR REFERENCE ONLY

PZN SLDW	THIRD ANGLE
	-TOLERANCES-
	UNLESS OTHERWISE NOTED
	DIMENSIONS IN INCHES
2 PL DEC ± .01	
3 PL DEC ± .005	
4 PL DEC ± .0005	
ANGLES ± 1°	

THIS DRAWING CONTAINS CONFIDENTIAL AND PROPRIETARY INFORMATION WHICH IS THE PROPERTY OF OMNETICS CONNECTOR CORP. THIS DOCUMENT MAY NOT, IN WHOLE OR IN PART, BE DUPLICATED, OR DISCLOSED FOR ANY PURPOSE, WITHOUT WRITTEN PERMISSION FROM OMNETICS CONNECTOR CORP.	
DFTM. NJS	DATE 08-24-09
CHK'D.	DATE
APP'D.	DATE
TITLE: (8) CONTACT POLARIZED MALE/FEMALE NANO CONNECTOR	

**OMNETICS**  
CONNECTOR CORPORATION  
7260 COMMERCE CIRCLE EAST  
MINNEAPOLIS, MN 55432  
WWW.OMNETICS.COM

CAGE CODE 61873	
DWG NO. A79612-001	
SHEET 1 OF 1	REV D
SCALE: 10:1	