

KAF- 0401E

768 (H) x 512 (V) Pixel

Full-Frame CCD Image Sensor

Performance Specification

Eastman Kodak Company

Image Sensor Solutions

Rochester, New York 14650-2010

Revision No. 1

October 16, 2002



TABLE OF CONTENTS

1.1 Features 3
1.2 Description 3
1.3 Image Acquisition 4
1.4 Charge Transport 4
1.5 Output Structure 4
1.6 Dark Reference Pixels 4
1.7 Dummy Pixels 4
2.1 Package Drawing 5
2.2 Pin Description 6
3.1 Absolute Maximum Ratings 7
3.2 DC Operating Conditions 8
3.3 AC Operating Conditions 9
3.4 AC Timing Conditions 9
4.1 Performance Specifications 11
4.2 Typical Performance Characteristics 12
4.3 Defect Classification 13
5.1 Quality Assurance and Reliability 14
5.2 Ordering Information 15
5.3 Available Part Configurations 15
Revision Changes 16

FIGURES

Figure 1 Functional Block Diagram 3
Figure 2 Packaging Diagram 5
Figure 3 Packaging Pin Designations 6
Figure 4 Recommended Output Structure Load Diagram 8
Figure 5 Timing Diagrams 10



1.1 Features

- 393K Pixel Area CCD
- 768H x 512V (9 μm) Pixels
- Transparent Gate True Two Phase Technology (Enhanced Spectral Response)
- 6.91 mm H x 4.6 mm V Photosensitive Area
- 2-Phase Register Clocking
- 100% Fill Factor
- High Output Sensitivity (10 $\mu\text{V/e-}$)
- Low Dark Current (<10pA/cm² @ 25°C)

1.2 Description

The KAF-0401E is a high performance monochrome area CCD (charge-coupled device) image sensor with 768H x 512V photoactive pixels designed for a wide range of image sensing applications in the 0.4nm to 1.0nm wavelength band. Typical applications include military, scientific, and industrial imaging. A 74dB dynamic range is possible operating at room temperature.

The sensor is built with a true two-phase CCD technology employing a transparent gate. This

technology simplifies the support circuits that drive the sensor and reduces the dark current without compromising charge capacity. The transparent gate results in spectral response increased ten times at 400nm, compared to a front side illuminated standard poly silicon gate technology. The sensitivity is increased 50% over the rest of the visible wavelengths.

Total chip size is 8.4 mm x 5.5 mm and is housed in a 24-pin, 0.805" wide DIL ceramic package with 0.1" pin spacing.

The sensor consists of 784 parallel (vertical) CCD shift registers each 520 elements long. These registers act as both the photosensitive elements and as the transport circuits that allow the image to be sequentially read out of the sensor. The elements of these registers are arranged into a 768 x 512 photosensitive array surrounded by a light shielded dark reference of 16 columns and 8 rows. The parallel (vertical) CCD registers transfer the image one line at a time into a single 796 element (horizontal) CCD shift register. The horizontal register transfers the charge to a single output amplifier. The output amplifier is a two-stage source follower that converts the photo-generated charge to a voltage for each pixel.

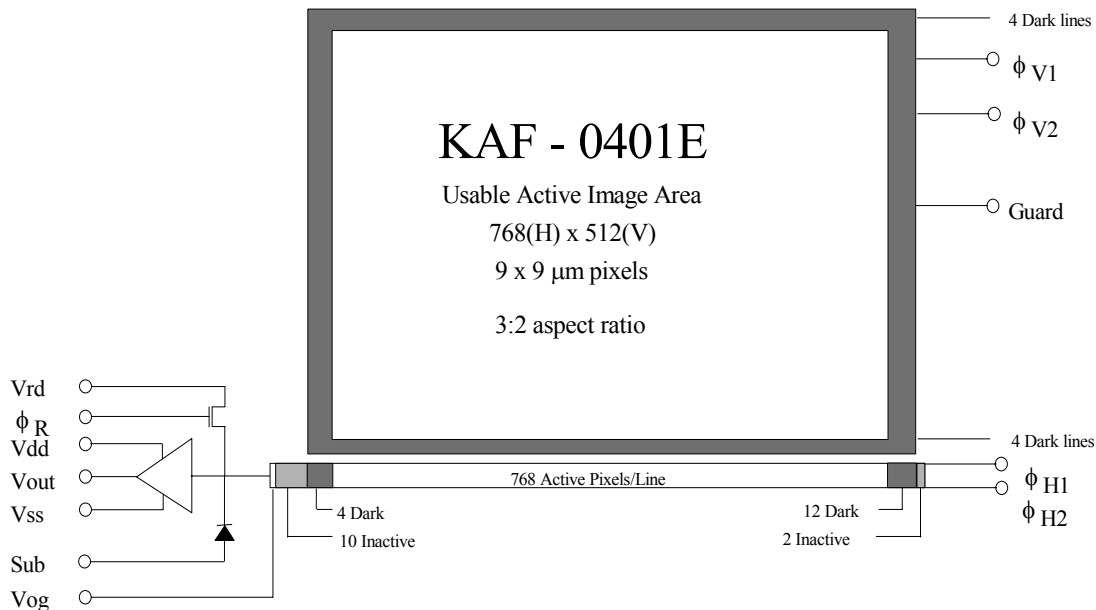


Figure 1 - Functional Block Diagram

1.3 Image Acquisition



Eastman Kodak Company - Image Sensor Solutions
 For the most current information regarding this product:
 Phone: (585) 722-4385 Fax: (585) 477-4947 Web: www.kodak.com/go/imagers E-mail: imagers@kodak.com

An electronic representation of an image is formed when incident photons falling on the sensor plane create electron-hole pairs within the sensor. These photon-induced electrons are collected locally by the formation of potential wells at each photogate or pixel site. The number of electrons collected is linearly dependent on light level and exposure time and non-linearly dependent on wavelength. When the pixel's capacity is reached, excess electrons will leak into the adjacent pixels within the same column. This is termed blooming. During the integration period, the ϕ_{V1} and ϕ_{V2} register clocks are held at a constant (low) level. See Figure 5 - Timing Diagrams.

1.4 Charge Transport

Referring again to Figure 5 - Timing Diagrams, the integrated charge from each photogate is transported to the output using a two-step process. Each line (row) of charge is first transported from the vertical CCD's to the horizontal CCD register using the ϕ_{V1} and ϕ_{V2} register clocks. The horizontal CCD is presented a new line on the falling edge of ϕ_{V2} while ϕ_{H1} is held high. The horizontal CCD's then transport each line, pixel by pixel, to the output structure by alternately clocking the ϕ_{H1} and ϕ_{H2} pins in a complementary fashion. On each falling edge of ϕ_{H2} a new charge packet is transferred onto a floating diffusion and sensed by the output amplifier

1.5 Output Structure

Charge presented to the floating diffusion (FD) is converted into a voltage and current amplified in order to drive off-chip loads. The resulting voltage change seen at the output is linearly related to the amount of charge placed on FD. Once the signal has been sampled by the system electronics, the reset gate (ϕ_R) is clocked to remove the signal and FD is reset to the potential applied by VRD. More signal at the floating diffusion reduces the voltage seen at the output pin. In order to activate the output structure, an off-chip load must be added to the Vout pin of the device - see Figure 4.

1.6 Dark Reference Pixels

Surrounding the peripheral of the device is a border of light shielded pixels. This includes 4 leading and 12 trailing pixels on every line excluding dummy pixels. There are also 4 full dark lines at the start of every frame and 4 full dark lines at the end of each frame. Under normal circumstances, these pixels do not respond to light. However, dark reference pixels in close proximity to an active pixel, or the outer bounds of the chip (including the first two lines out), can scavenge signal depending on light intensity and wavelength and therefore will not represent the true dark signal.

1.7 Dummy Pixels

Within the horizontal shift register are 10 leading and 2 trailing additional shift phases that are not associated with a column of pixels within the vertical register. These pixels contain only horizontal shift register dark current signal and do not respond to light. A few leading dummy pixels may scavenge false signal depending on operating conditions



2.1 Package Drawing

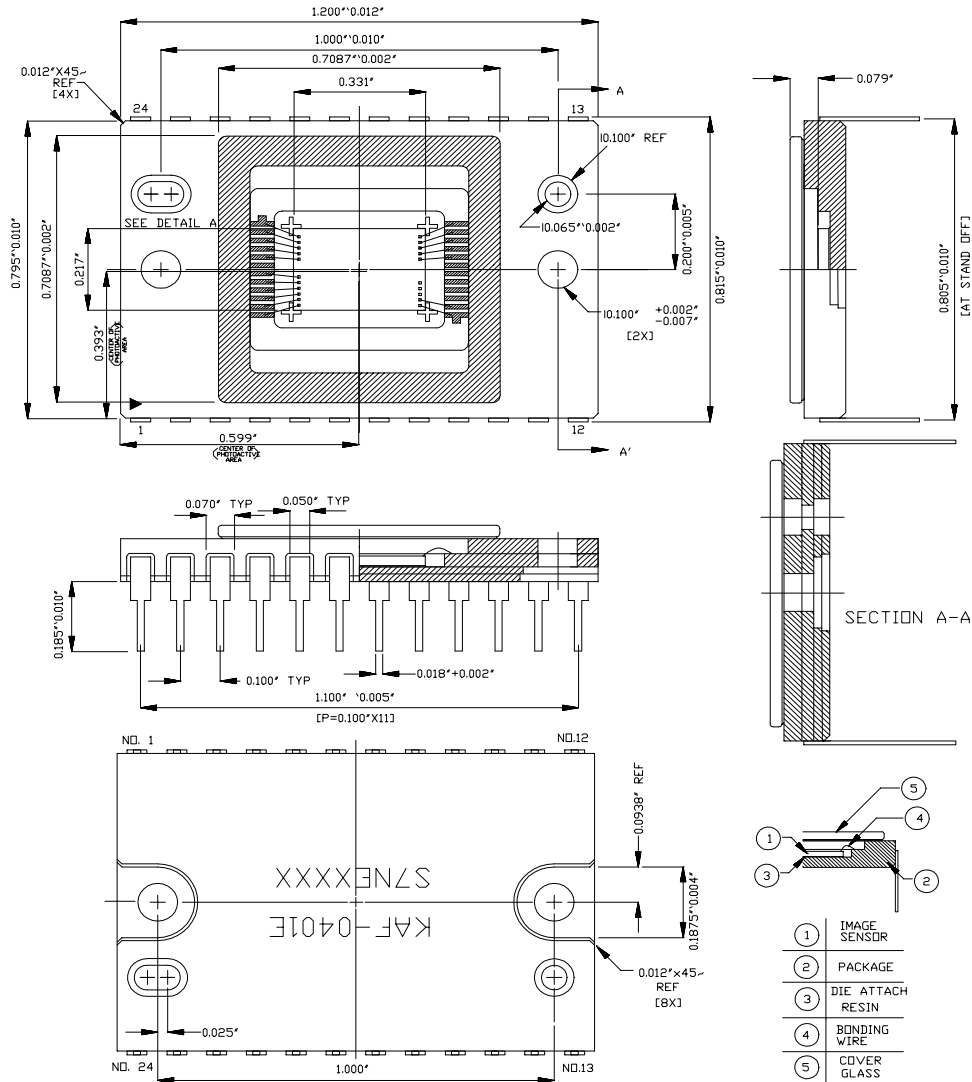


Figure 2 - Package Drawing



2.2 Pin Description

Pin	Symbol	Description	Pin	Symbol	Description
1	VOG	Output Gate	13	N/C	No connection (open pin)
2	VOUT	Video Output	11, 14	VSUB	Substrate (Ground)
3	VDD	Amplifier Supply	15, 16, 21, 22	ϕV_1	Vertical CCD Clock - Phase 1
4	VRD	Reset Drain	17, 18, 19, 20	ϕV_2	Vertical CCD Clock - Phase 2
5	ϕR	Reset Clock	23	Guard	Guard Ring
6	VSS	Amplifier Supply Return	24	N/C	No Connection (open pin)
7	ϕH_1	Horizontal CCD Clock - Phase 1			
8	ϕH_2	Horizontal CCD Clock - Phase 2			
9, 10, 12	N/C	No connection (open pin)			

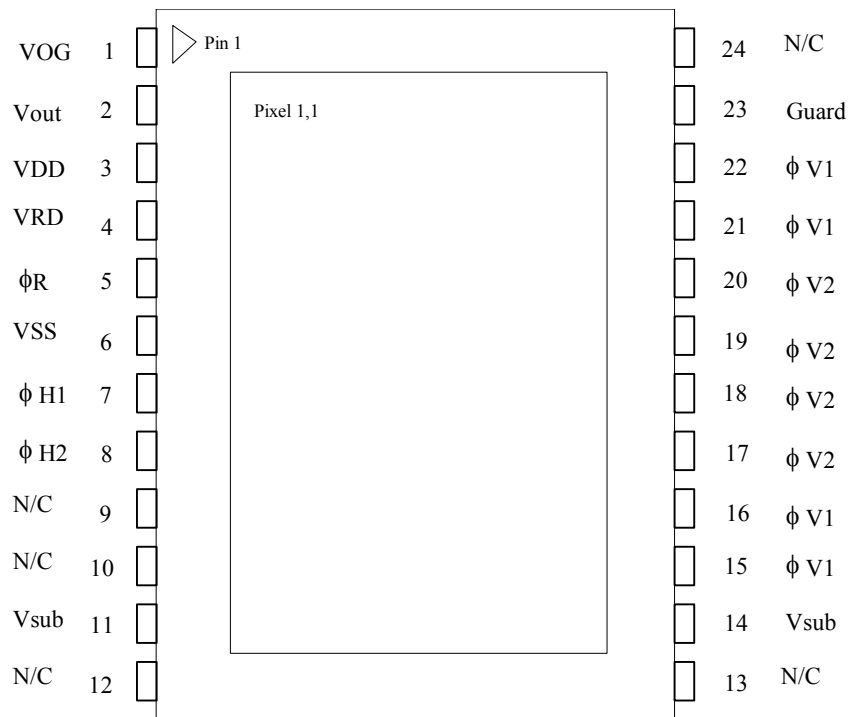


Figure 3 - Packaging Pin Designations



3.1 Absolute Maximum Ratings

Description	Symbol	Min.	Max.	Units	Notes
Diode Pin Voltages	Vdiode	0	20	V	1, 2
Gate Pin Voltages - Type 1	Vgate1	-16	16	V	1, 3
Gate Pin Voltages - Type 2	Vgate2	0	16	V	1, 4
Inter-Gate Voltages	Vg-g		16	V	5
Output Bias Current	Iout		-10	mA	6
Output Load Capacitance	Cload		15	pF	6
Storage Temperature	T		100	°C	
Humidity	RH	5	90	%	7

Notes:

1. Referenced to pin VSUB.
2. Includes pins: VRD, VDD, VSS, VOUT.
3. Includes pins: $\phi V1$, $\phi V2$, $\phi H1$, $\phi H2$.
4. Includes pins: ϕR , VOG.
5. Voltage difference between overlapping gates. Includes: $\phi V1$ to $\phi V2$, $\phi H1$ to $\phi H2$, $\phi V2$ to $\phi H1$, $\phi H2$ to VOG.
6. Avoid shorting output pins to ground or any low impedance source during operation.
7. T=25°C. Excessive humidity will degrade MTTF.

Caution: This device contains limited protection against Electrostatic Discharge (ESD). Devices should be handled in accordance with strict ESD procedures for Class 0 devices (JEDEC22 Human Body Model) or Class A (Machine Model). Refer to Application Note MTD/PS-0224, "Electrostatic Discharge Control"

Caution: Improper cleaning of the cover glass may damage these devices. Refer to Application Note MTD/PS-0237, "Cover Glass Cleaning for Image Sensors"



3.2 DC Operating Conditions

Description	Symbol	Min.	Nom.	Max.	Units	Max DC Current (mA)	Notes
Reset Drain	VRD	10.5	11	11.5	V	0.01	
Output Amplifier Return	VSS	1.5	2.0	2.5	V	-0.5	
Output Amplifier Supply	VDD	14.5	15	15.5	V	Iout	
Substrate	VSUB	0	0	0	V	0.01	
Output Gate	VOG	3.75	4	5	V	0.01	
Guard Ring	Guard	8.0	9.0	12.0	V	0.01	
Video Output Current	Iout		-5	-10	mA	-	1

Notes:

1. An output load sink must be applied to Vout to activate output amplifier - see Figure below.

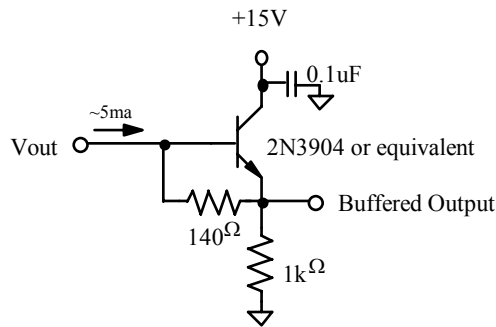


Figure 4 - Recommended Output Structure Load Diagram



3.3 AC Operating Condition

Description	Symbol	Level	Min.	Nom.	Max.	Units	Effective Capacitance
Vertical CCD Clock - Phase 1	$\phi V1$	Low High	-10.5 0	-10.0 0.5	-9.5 1.0	V V	6 nF (all $\phi V1$ pins)
Vertical CCD Clock - Phase 2	$\phi V2$	Low High	-10.5 0	-10.0 0.5	-9.5 1.0	V V	6 nF (all $\phi V2$ pins)
Horizontal CCD Clock - Phase 1	$\phi H1$	Low High	-5.0 $\phi H1_{Low} + 10V$	-4.0 6.0	-3.5 $\phi H1_{Low} + 10V$	V V	50pF
Horizontal CCD Clock - Phase 2	$\phi H2$	Low High	-5.0 $\phi H2_{Low} + 10V$	-4.0 6.0	-3.5 $\phi H2_{Low} + 10V$	V V	50pF
Reset Clock	ϕR	Low High	-3.0 3.5	-2.0 4.0	-1.75 5.0	V V	5pF

Notes:

1. All pins draw less than 10uA DC current.
2. Capacitance values relative to VSUB.

3.4 AC Timing Conditions

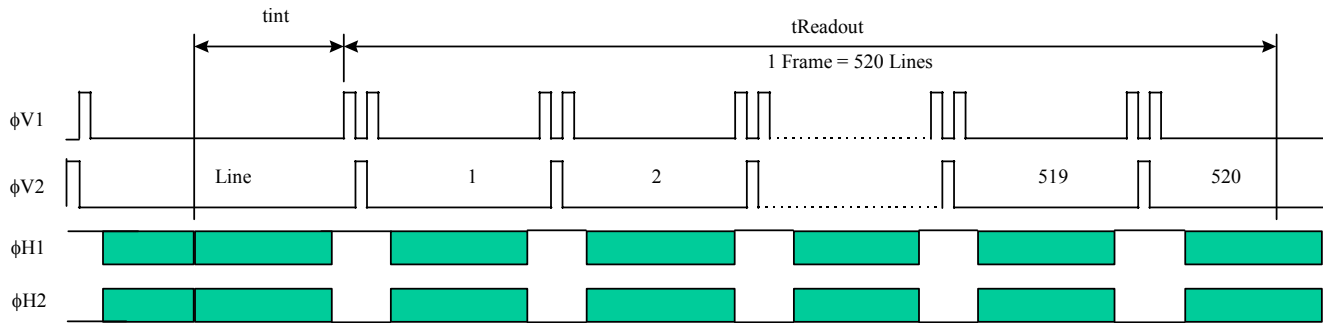
Description	Symbol	Min.	Nom.	Max.	Units	Notes
$\phi H1, \phi H2$ Clock Frequency	f_H		10	15	MHz	1, 2, 3
$\phi V1, \phi V2$ Clock Frequency	f_V		100	125	kHz	1, 2, 3
Pixel Period (1 Count)	t_e	67	100		ns	
$\phi H1, \phi H2$ Setup Time	$t_{\phi HS}$	0.5	1		us	
$\phi V1, \phi V2$ Clock Pulse Width	$t_{\phi V}$	4	5		us	2
Reset Clock Pulse Width	$t_{\phi R}$	10	20		ns	4
Readout Time	$t_{readout}$	34	50		ms	5
Integration Time	t_{int}					6
Line Time	t_{line}	65.8	95.6		us	7

Notes:

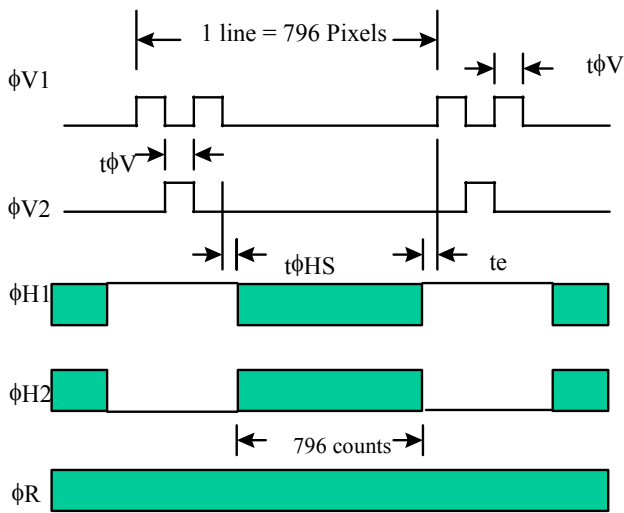
1. 50% duty cycle values.
2. CTE may degrade above the nominal frequency.
3. Rise and fall times (10/90% levels) should be limited to 5-10% of clock period. Cross-over of register clocks should be between 40-60% of amplitude.
4. f_R should be clocked continuously.
5. $t_{readout} = (1032 * t_{line})$
6. Integration time is user specified. Longer integration times will degrade noise performance due to dark signal fixed pattern and shot noise.
7. $t_{line} = (3 * t_{\phi V}) + t_{\phi HS} + (1564 * t_e) + t_e$



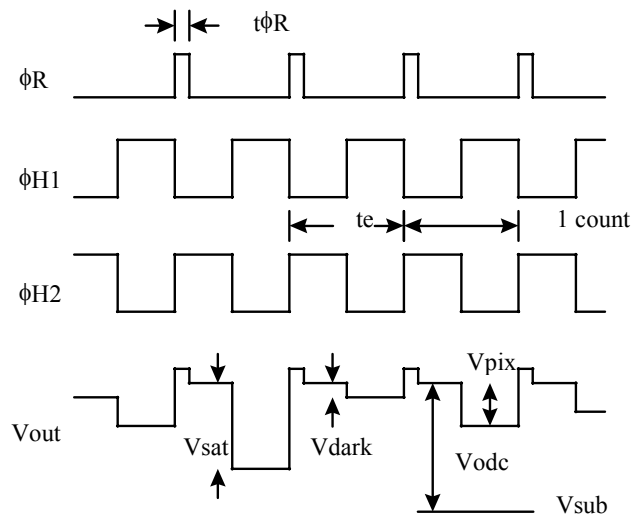
Frame Timing



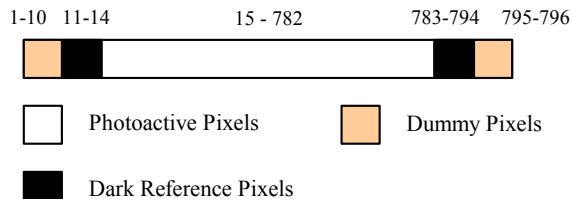
Line Timing Detail



Pixel Timing Detail



Line Content



V_{sat} Saturated pixel video output signal
 V_{dark} Video output signal in no light situation, not zero due to J_{dark}
 V_{pix} Pixel video output signal level, more electrons = more negative
 V_{dc} Video level offset with respect to v_{sub}
 V_{sub} Analog Ground

* See Image Acquisition section (page 4)

Figure 5 - Timing Diagrams



4.1 Performance Specifications

All values measured at 25°C, and nominal operating conditions. These parameters exclude defective pixels.

Description	Symbol	Min.	Nom.	Max.	Units	Notes
Saturation Signal						
Vertical CCD capacity	Nsat	85000	100000	120000	electrons / pixel	1
Horizontal CCD capacity		170000	200000	240000		
Output Node capacity		190000	220000	240000		
Red Quantum Efficiency ($\lambda=650\text{nm}$)	Rr	49	60	71	%	
Green Quantum Efficiency ($\lambda=550\text{nm}$)	Rg	41	50	59	%	
Blue Quantum Efficiency ($\lambda=450\text{nm}$)	Rb	32	40	47	%	
Blue Quantum Efficiency ($\lambda=400\text{nm}$)	Rb 400	24	30	35	%	
Photoresponse Non-Linearity	PRNL		1	2	%	2
Photoresponse Non-Uniformity	PRNU		1	3	%	3
Dark Signal	Jdark		25 6	50 10	electrons / pixel / sec pA/cm ²	4
Dark Signal Doubling Temperature		5	6.3	7.5	°C	
Dark Signal Non-Uniformity	DSNU		25	50	electrons / pixel / sec	5
Dynamic Range	DR	70	74		dB	6
Charge Transfer Efficiency	CTE	0.99997	0.99999			
Output Amplifier DC Offset	V _{odc}	9.5	10.5	11.5	V	7
Output Amplifier Bandwidth	f _{-3dB}		45		Mhz	8
Output Amplifier Sensitivity	V _{out} /N _{e~}	9	10	11	uV/e~	
Output Amplifier output Impedance	Z _{out}	175	200	250	Ohms	
Noise Floor	n _{e~}		15	20	electrons	9

Notes:

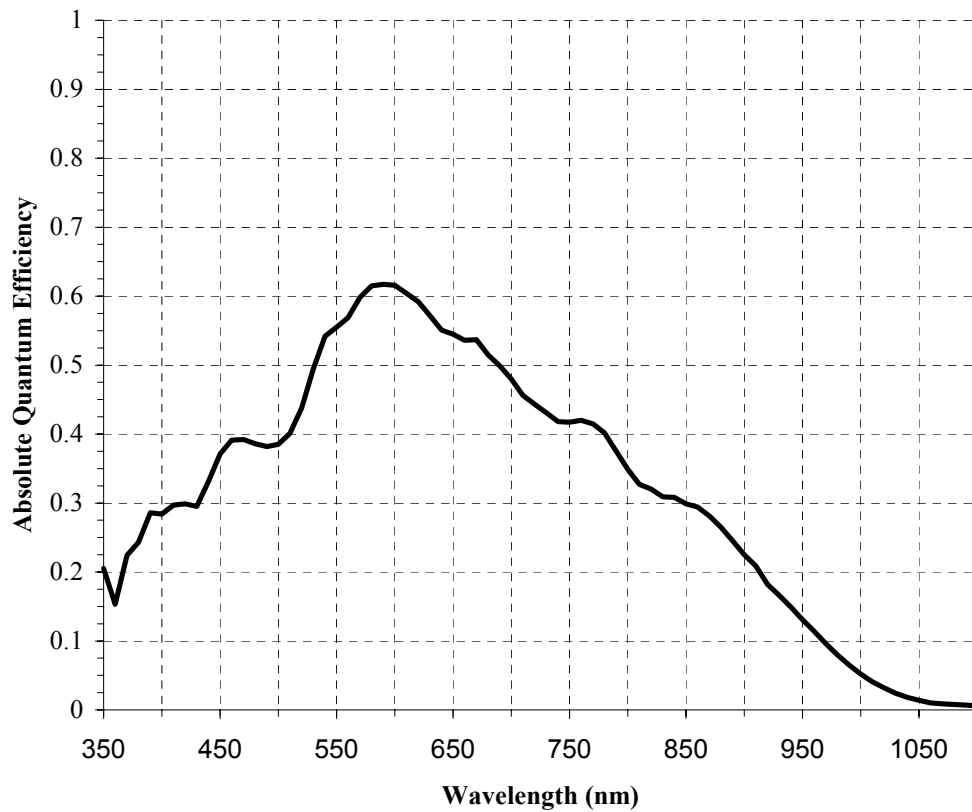
- For pixel binning applications, electron capacity up to 330000 can be achieved with modified CCD inputs. Each sensor may have to be optimized individually for these applications. Some performance parameters may be compromised to achieve the largest signals.
- Worst case deviation from straight line fit, between 1% and 90% of V_{sat}.
- One Sigma deviation of a 128x128 sample when CCD illuminated uniformly.
- Average of all pixels with no illumination at 25°C.
- Average dark signal of any of 6 x 4 blocks within the sensor. (each block is 128 x 128 pixels)
- 20log (Nsat / n_{e~}) at nominal operating frequency and 25°C.
- Video level offset with respect to ground
- Last output amplifier stage only. Assumes 10pF off-chip load..
- Output noise at 25°C, nominal operating frequency, and tint = 0.



4.2 Typical Performance Characteristics

Spectral Response

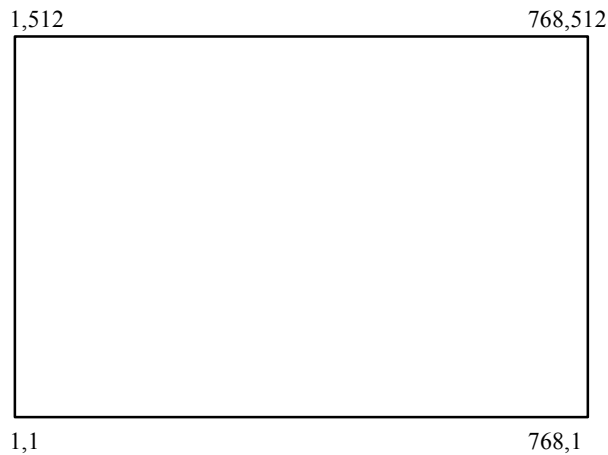
KAF-0401E



4.3 Cosmetic Classification

Defect tests performed at T=25°C

Class	Point Defects Total	Cluster Defects Total	Column Defects Total
C1	≤5	0	0
C2	≤10	≤4	0



Point Defect	DARK: A pixel which deviates by more than 6% from neighboring pixels when illuminated to 70% of saturation, OR BRIGHT: A Pixel with dark current > 5000 e/pixel/sec at 25C.
Cluster Defect	A grouping of not more than 5 adjacent point defects
Column Defect	A grouping of >5 contiguous point defects along a single column, OR A column containing a pixel with dark current > 12,000e/pixel/sec, OR A column that does not meet the minimum vertical CCD charge capacity, OR A column which loses more than 250 e under 2Ke illumination.
Neighboring pixels	The surrounding 128 x 128 pixels or ±64 columns/rows.
Defect Separation	Column and cluster defects are separated by no less than two (2) pixels in any direction (excluding single pixel defects).
Defect Region Exclusion	Defect region excludes the outer two (2) rows and columns at each side/end of the sensor.



5.1 Quality Assurance and Reliability

- 5.1.1 **Quality Strategy:** All devices will conform to the specifications stated in this document. This is accomplished through a combination of statistical process control and inspection at key points of the production process. Typical specification limits are not guaranteed but provided as a design target. For further information refer to ISS application Note MTD/PS-0292, Quality and Reliability.
- 5.1.2 **Replacement:** All devices are warranted against failures in accordance with the Terms of Sale. This does not include failure due to mechanical and electrical causes defined as the liability of the customer below.
- 5.3.1 **Liability of the Supplier:** A reject is defined as an image sensor that does not meet all of the specifications in this document upon receipt by the customer.
- 5.3.2 **Liability of the Customer:** Damage from mechanical (scratches or breakage), electrostatic discharge (ESD) damage, or other electrical misuse of the device beyond the stated absolute maximum ratings, which occurred after receipt of the sensor by the customer, shall be the responsibility of the customer.
- 5.3.3 **Cleanliness:** Devices are shipped free of mobile contamination inside the package cavity. Immovable particles and scratches that are within the imager pixel area and the corresponding cover glass region directly above the pixel sites are also not allowed. The cover glass is highly susceptible to particles and other contamination. Touching the cover glass must be avoided. See ISS Application Note MTD/PS-0237, Cover Glass Cleaning for Image Sensors, for further information.
- 5.3.4 **ESD Precautions:** Devices are shipped in static-safe containers and should only be handled at static-safe workstations. See ISS Application Note MTD/PS-0224, Electrostatic Discharge Control, for handling recommendations.
- 5.3.5 **Reliability:** Information concerning the quality assurance and reliability testing procedures and results are available from the Image Sensor Solutions and can be supplied upon request. For further information refer to ISS Application Note MTD/PS-0292 Quality and Reliability.
- 5.3.6 **Test Data Retention:** Image sensors shall have an identifying number traceable to a test file. Test data shall be kept for a period of 2 years after date of delivery.
- 5.1.9 **Mechanical:** The device assembly drawing is provided as a reference. The device will conform to the published package tolerances.



5.2 Ordering Information

Address all inquiries and purchase orders to:

Image Sensor Solutions
 Eastman Kodak Company
 Rochester, New York 14650-2010
 Phone: (585) 722-4385
 Fax: (7585) 477-4947
 Web: kodak.com/go/imagers
 E-mail: imagers@kodak.com

Kodak reserves the right to change any information contained herein without notice. All information furnished by Kodak is believed to be accurate.

WARNING: LIFE SUPPORT APPLICATIONS POLICY

Kodak image sensors are not authorized for and should not be used within Life Support Systems without the specific written consent of the Eastman Kodak Company. Product warranty is limited to replacement of defective components and does not cover injury or property or other consequential damages.

5.3 Available Part Configurations

Note: This listing may be updated independently of the performance specification. Contact Eastman Kodak for the latest revision.

Device Name	Features
KAF-0401E	Monochrome, ITO, Sealed or Taped Clear Cover Glass Classes 2, Engineering and Mechanical



Revision Changes:

Revision Number	Release Date	Description of Changes
1	10/9/02	First revision in S9K. Section 3.1: Revised ESD warning. Section 4.3: Eliminated Class 0 devices. Section 5.1: Revised Quality and Reliability statements. Appendix 1: Changed to Section 5.3 Available Part Configurations. Added Revision Changes.

