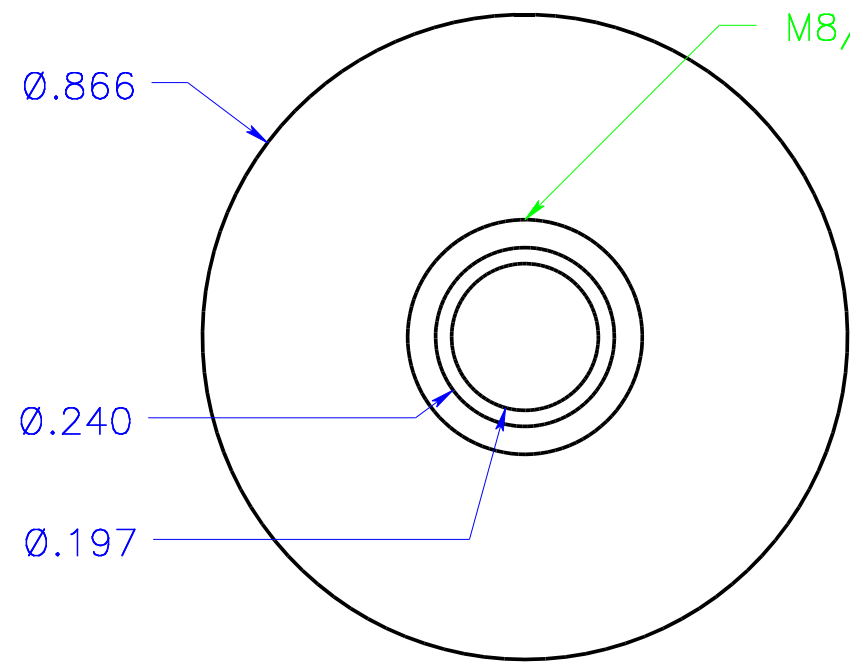
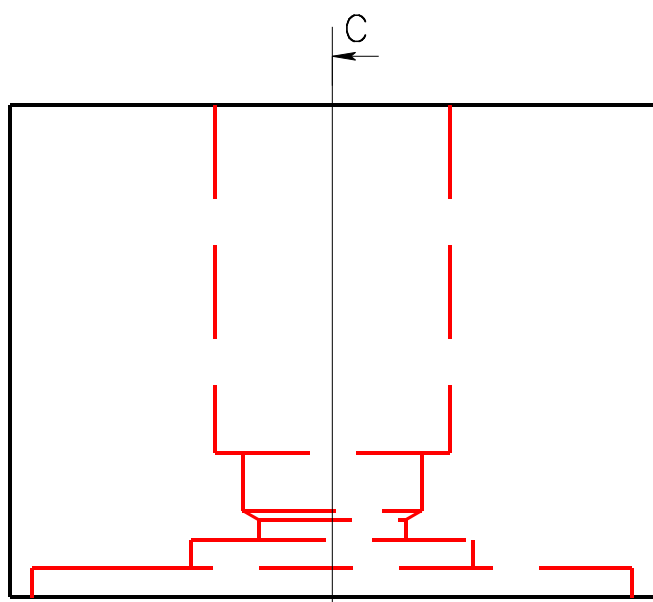


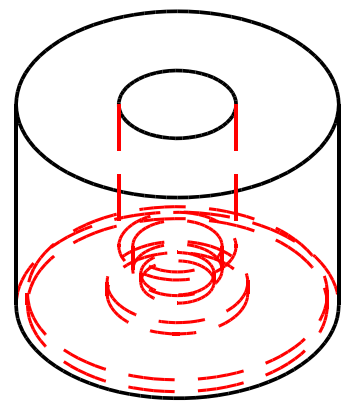
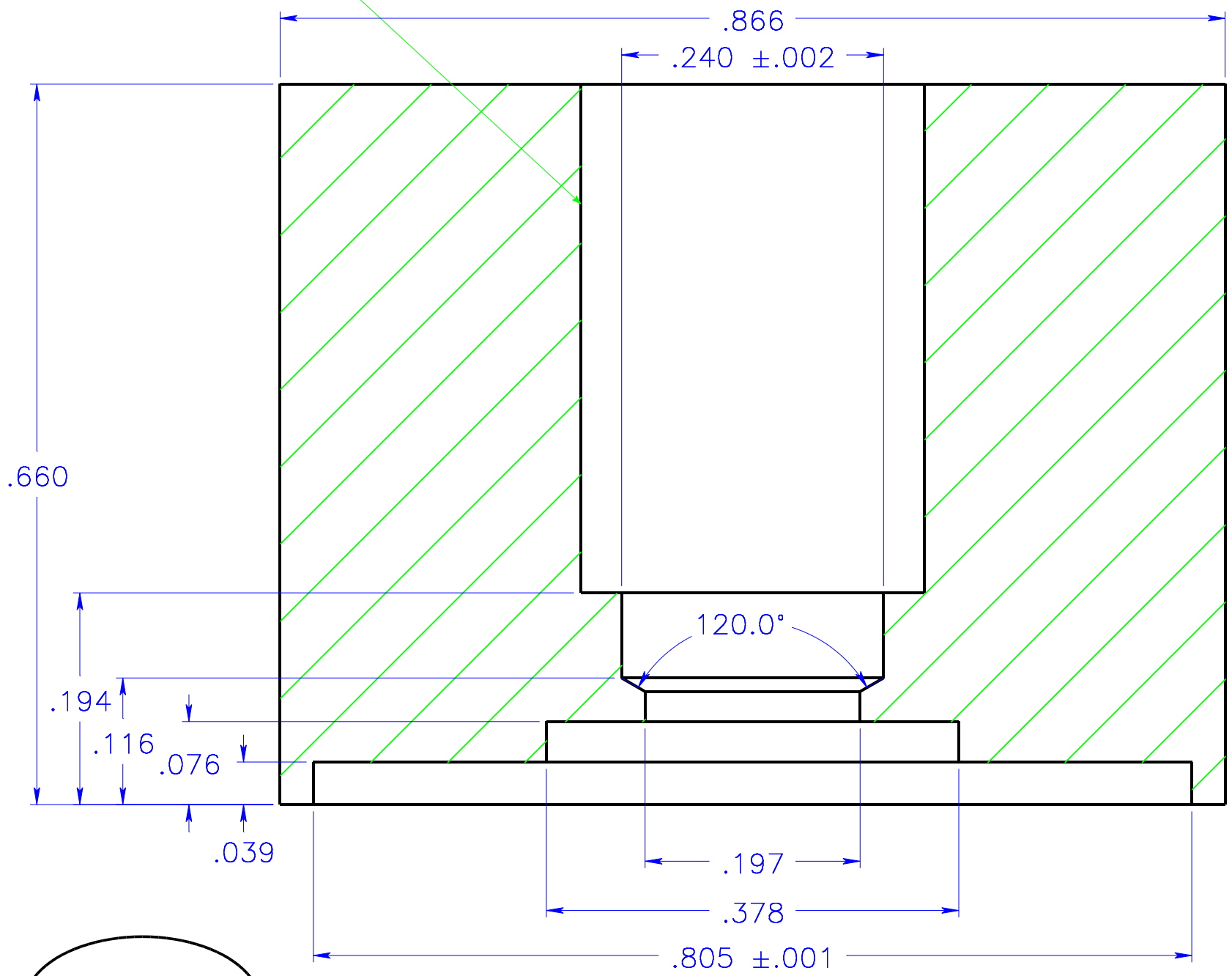
NOTES: 1) 6061 Aluminum, Ground Finish
 2) Break All Edges
 3) Dimensions in inches, tolerance $\pm .005$ inches except as indicated



Top View



Front View



Section C-C

				Name	Date	Lens Holder
			Created By	JRB	7/20/11	
			Checked By			
			Scale			Drawing Number
				Open Source Instruments 130 Mount Auburn Street Watertown MA, 02472, USA info@opensourceinstruments.com +1(617)610-4319		Issue
No	Change	Date	Init			